

ASSEMBLY INSTRUCTIONS

6 DRAWER DOUBLE DRESSER

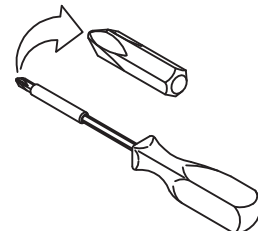
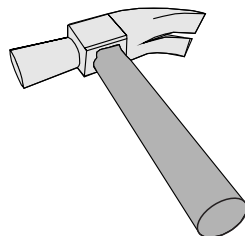
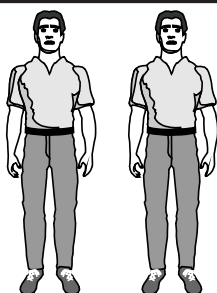
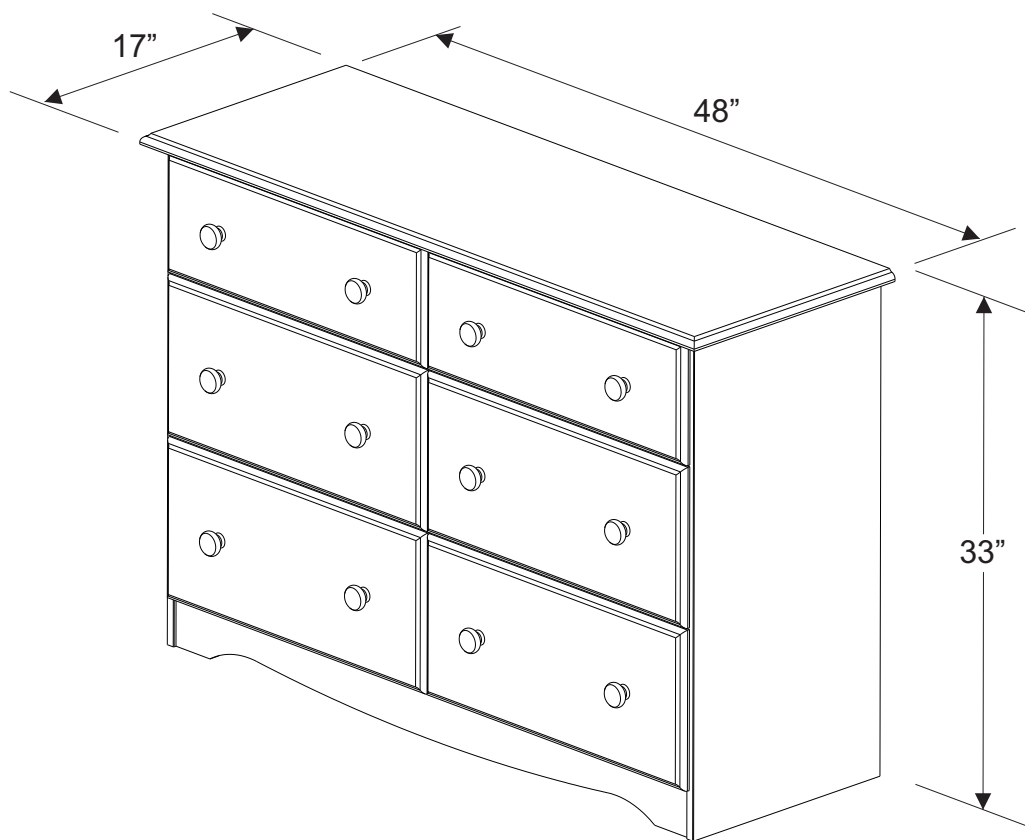
Ref. 5400 - Natural

Ref. 5401 - Whitewash

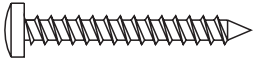



Ref. 5402 - Mahogany

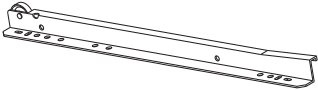
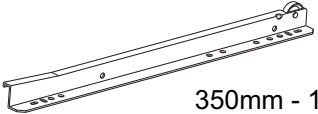
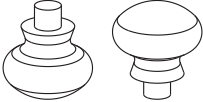
Ref. 5404 - Honey Pine

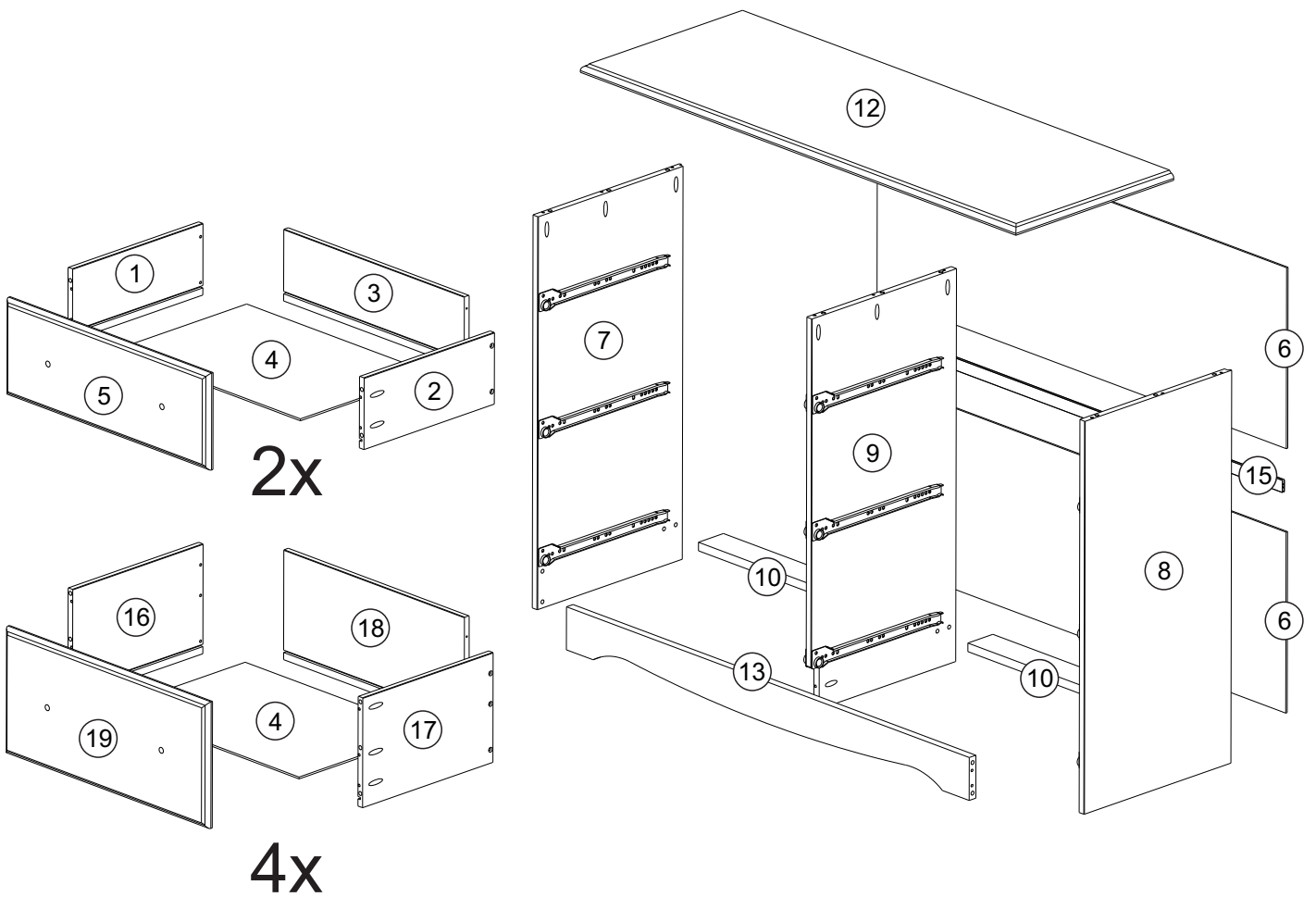
Ref. 5406 - Java



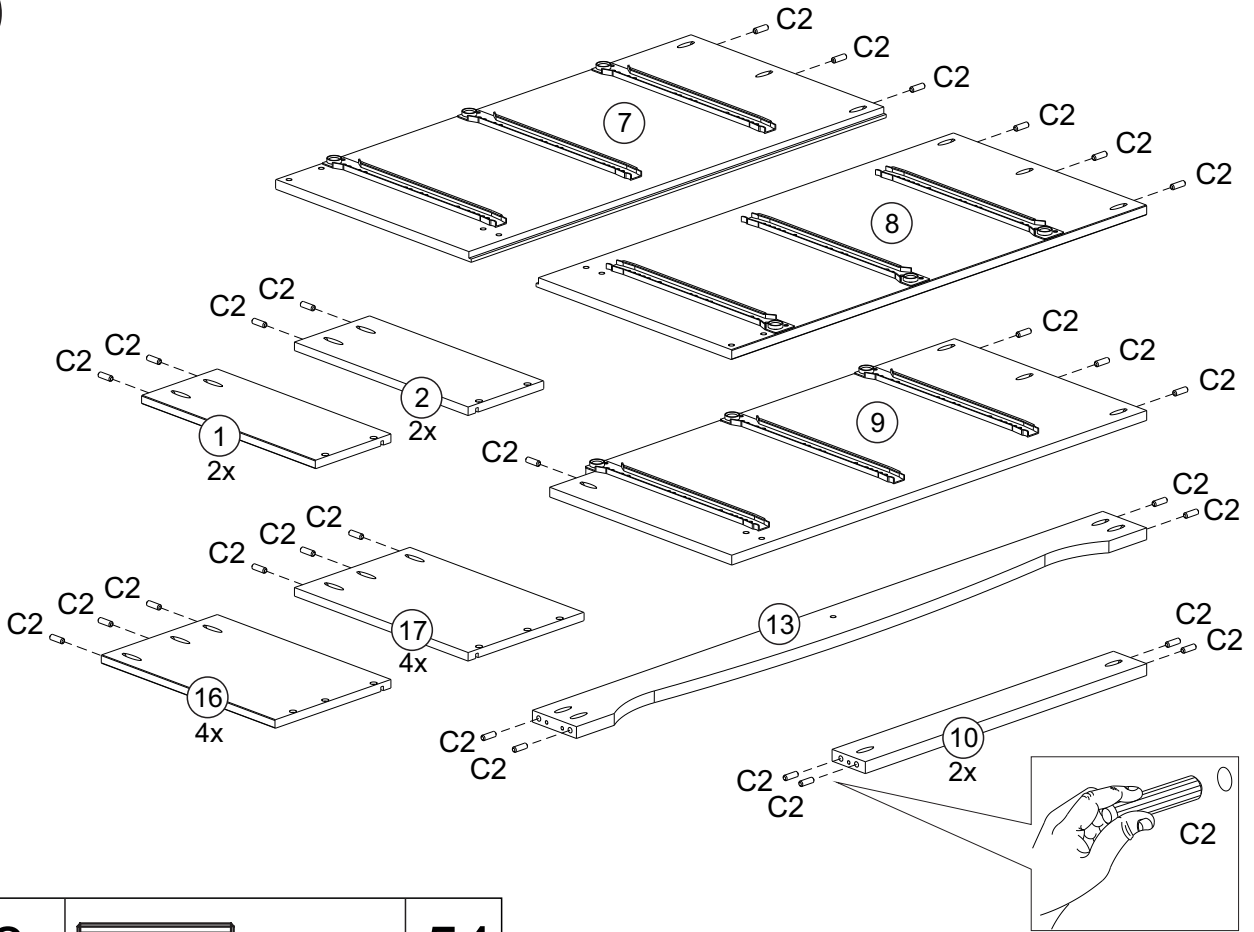
HARDWARE IS SHOWN IN ACTUAL SIZE


| | | |
|-----------|---|-----------|
| A1 |  4,0x30 | 94 |
| A4 |  3,5x14 | 24 |
| C2 |  8,0x25 | 54 |
| G1 |  10x10 | 30 |

| | | |
|-----------|---|-----------|
| E1 |  350mm - 13 3/4" | 06 |
| E2 |  350mm - 13 3/4" | 06 |
| H1 |  | 12 |

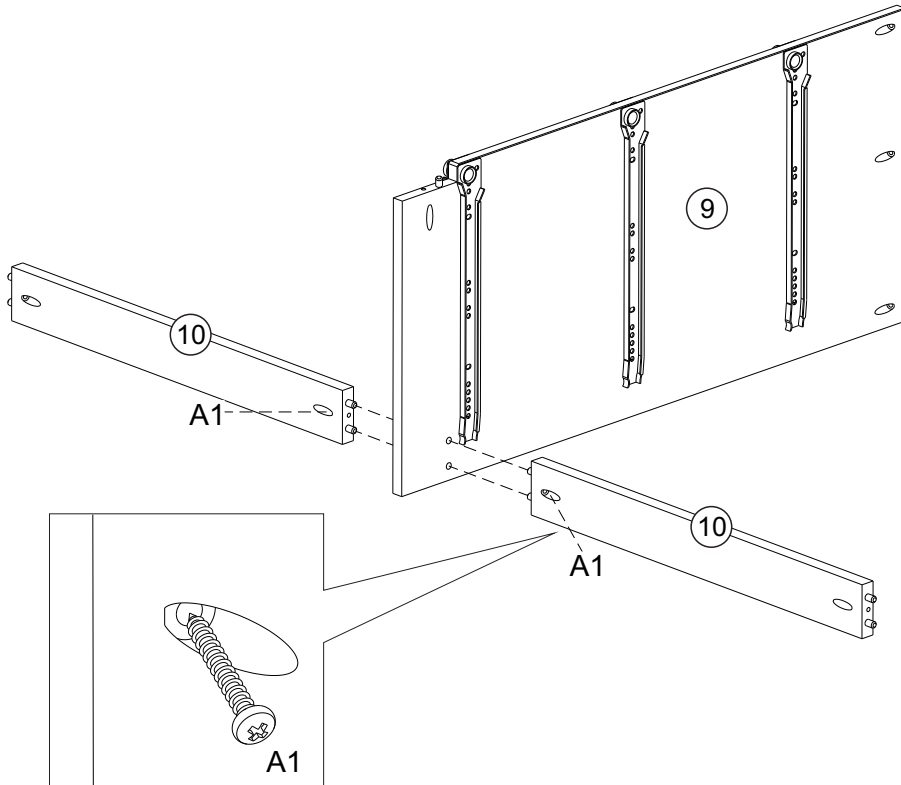



01)



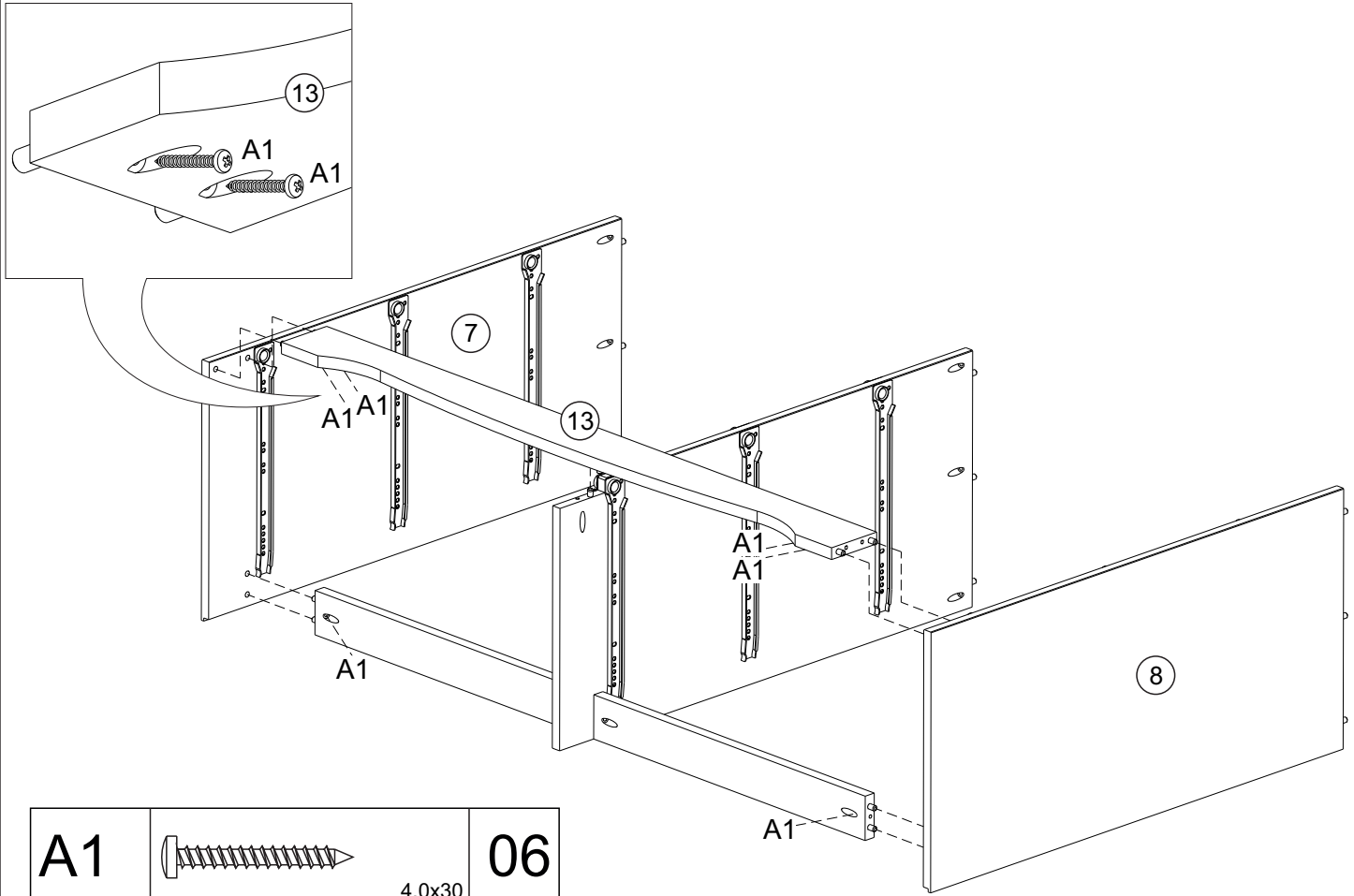
| | | |
|--------|---|----|
| C2 |  | 54 |
| 8,0x25 | | |

02)

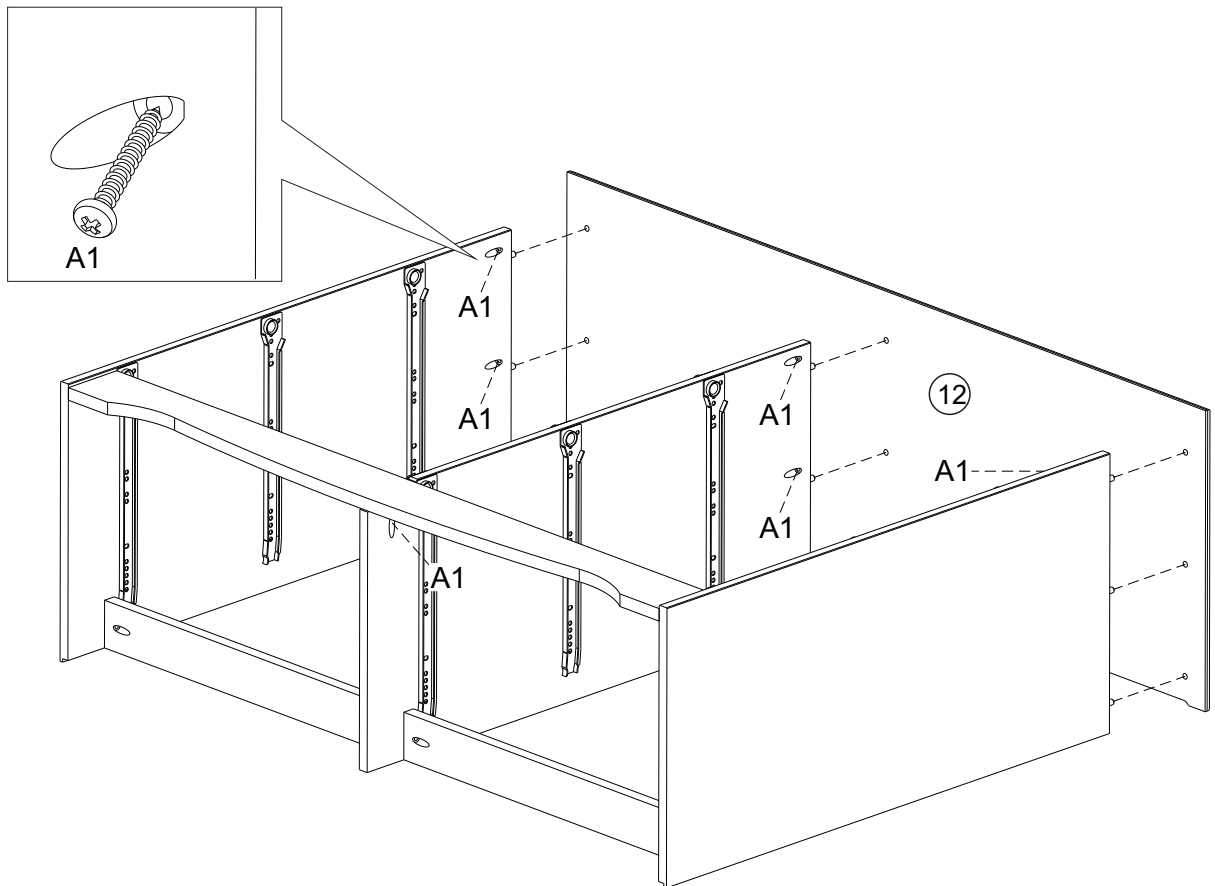


| | | |
|--------|---|----|
| A1 |  | 02 |
| 4,0x30 | | |

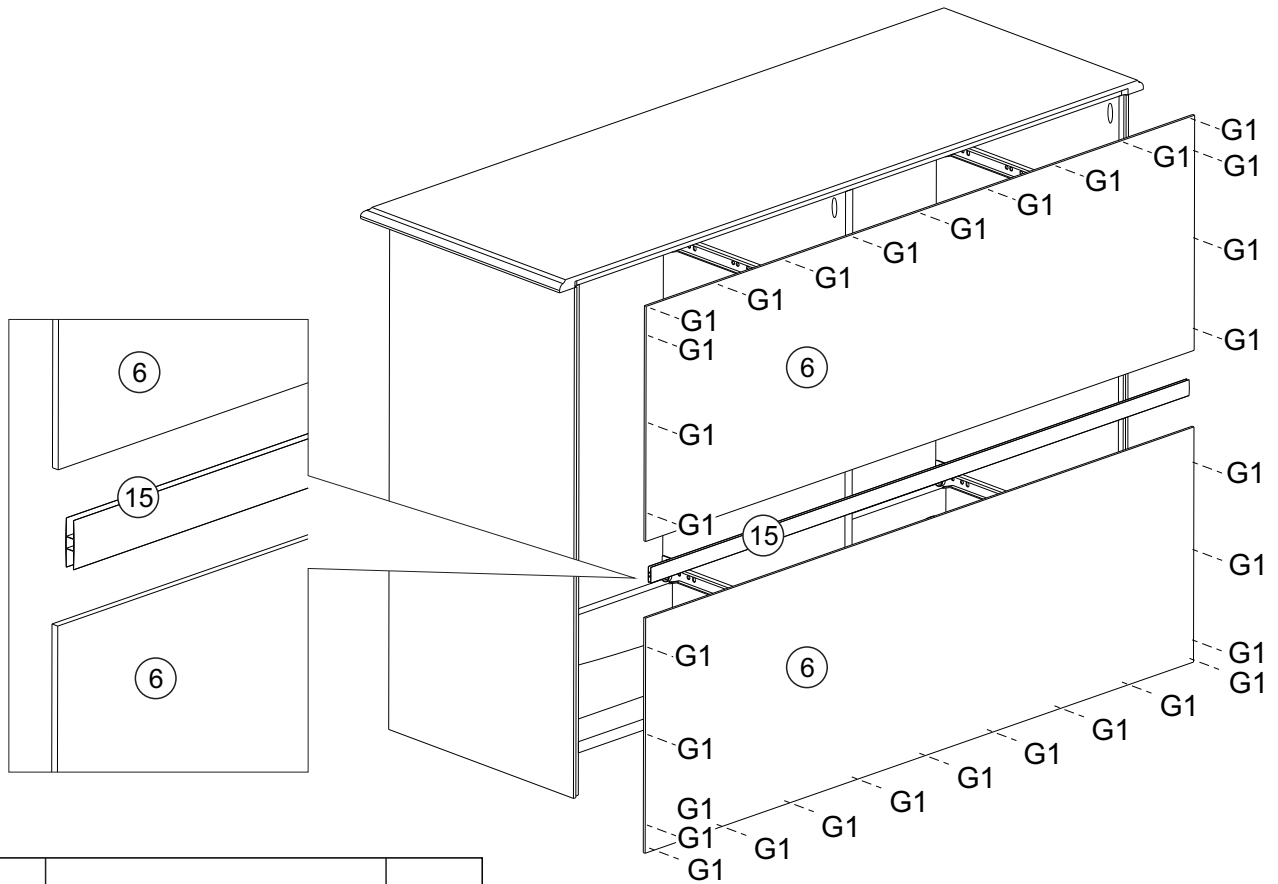
03)




04)



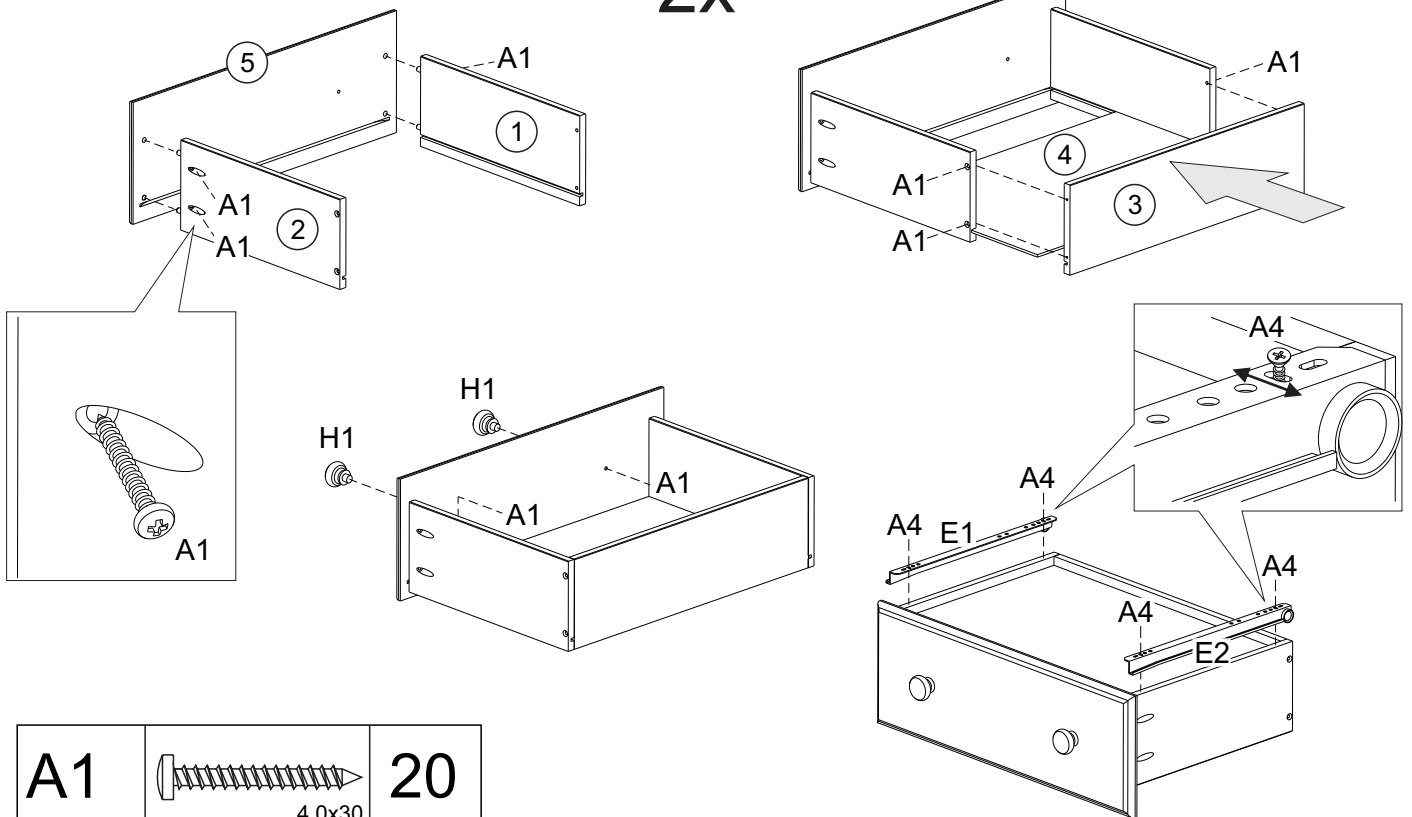
05)

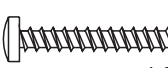

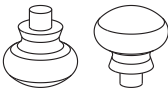


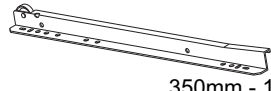
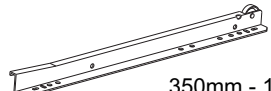
| | | |
|-----------|---|-----------|
| G1 |  | 30 |
| | 10x10 | |

06)

2x

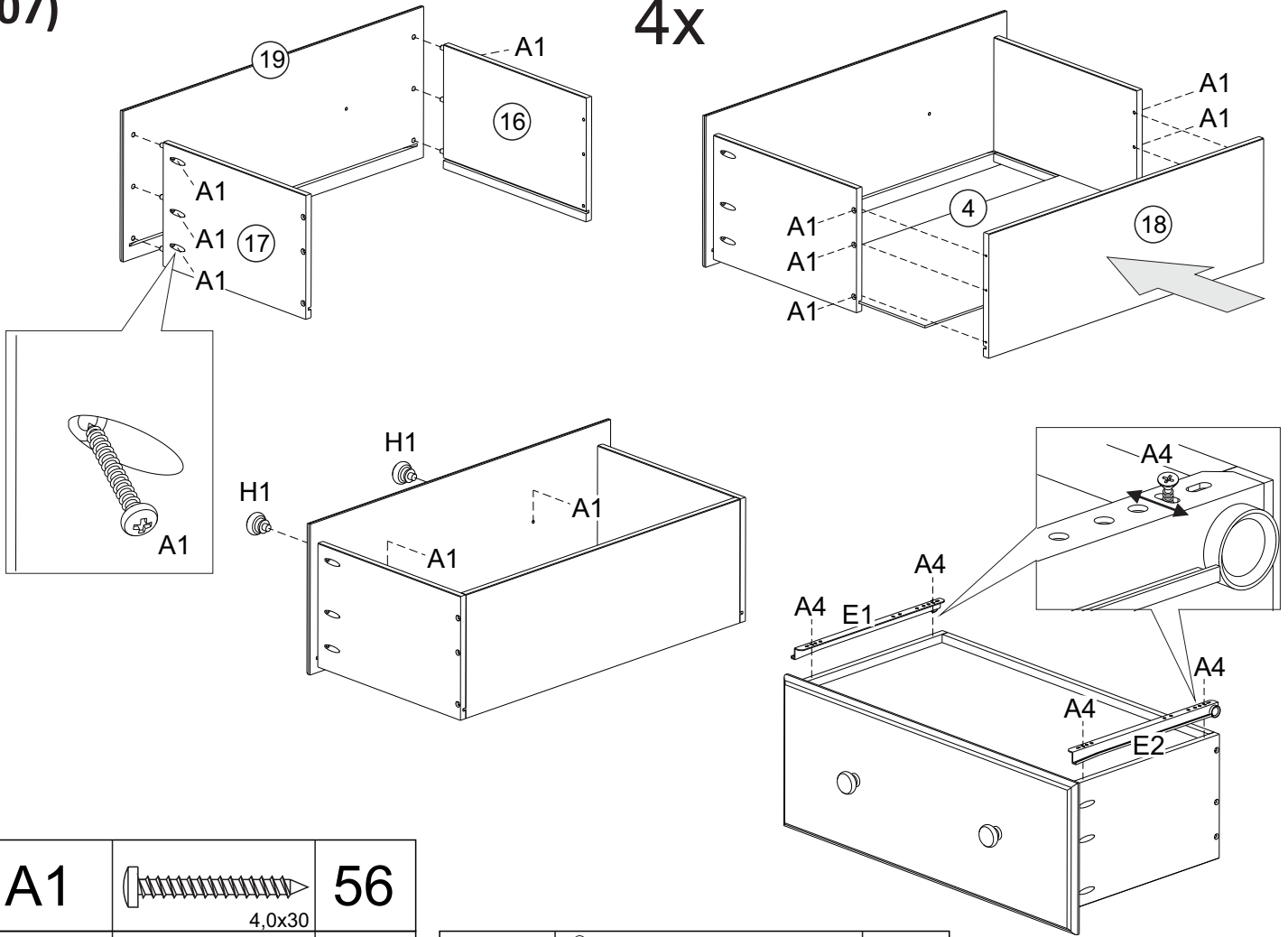




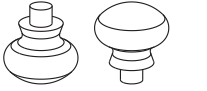
| | | |
|-----------|--|-----------|
| A1 |  <small>4,0x30</small> | 20 |
| A4 |  <small>3,5x14</small> | 08 |
| H1 |  | 04 |

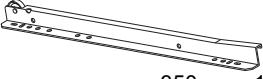
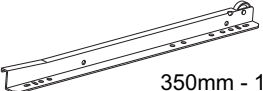
| | | |
|-----------|---|-----------|
| E1 |  <small>350mm - 13 3/4"</small> | 02 |
| E2 |  <small>350mm - 13 3/4"</small> | 02 |

07)

4x



| | | |
|----|---|----|
| A1 |  4,0x30 | 56 |
| A4 |  3,5x14 | 16 |
| H1 |  | 08 |

| | | |
|----|--|----|
| E1 |  350mm - 13 3/4" | 04 |
| E2 |  350mm - 13 3/4" | 04 |

08)

